



6.88"

- **UL®1449 Listed Edition 5.0**
- **Type 1 SPD, 20kA In**
- **320kA 8/20µs I_{max} surge rating per phase**
- **Two Stage SPD with backup protection**
- **NEMA 4X**
- **UL® 50E Type 4 Enclosure**
- **All modes protected**
- **Optional Recessed Mounting Trim Plate**
- **Prewired 36" leads for alarm contacts**
- **Audible Alarm (including phase loss)**
- **Versatile Range of Applications**
- **Ten Year Limited Warranty**

| Model | Voltage |
|----------|--------------------|
| SP320S12 | S120/240V 3w+G |
| SP320Y12 | Y120/208V 4w+G |
| SP320Y24 | Y277/480V 4w+G |
| SP320D2 | 240V 3ph Delta |
| SP320D4 | 480V 3ph Delta |
| SP320D12 | 120/240V 3ph Delta |

The **OMEGA POWER SP320** Series is a Two stage Suppressor that provides full protection, even if a lightning strike should damage or disable Stage one.

The **SP320** is **UL® 1449 Edition 5** Listed as an SPD for **Type 1** or **Type 2** locations. Type 1 allows for installation on the line or load side of the service panels and fusing and/or circuit breakers are optional. With a **320 kA per phase** surge rating, the SP320 is well suited for high exposure locations.

Applications include service entrance, distribution switchgear, branch panels, Motor Control Centers (MCC), lighting panels, HVAC, and much more.

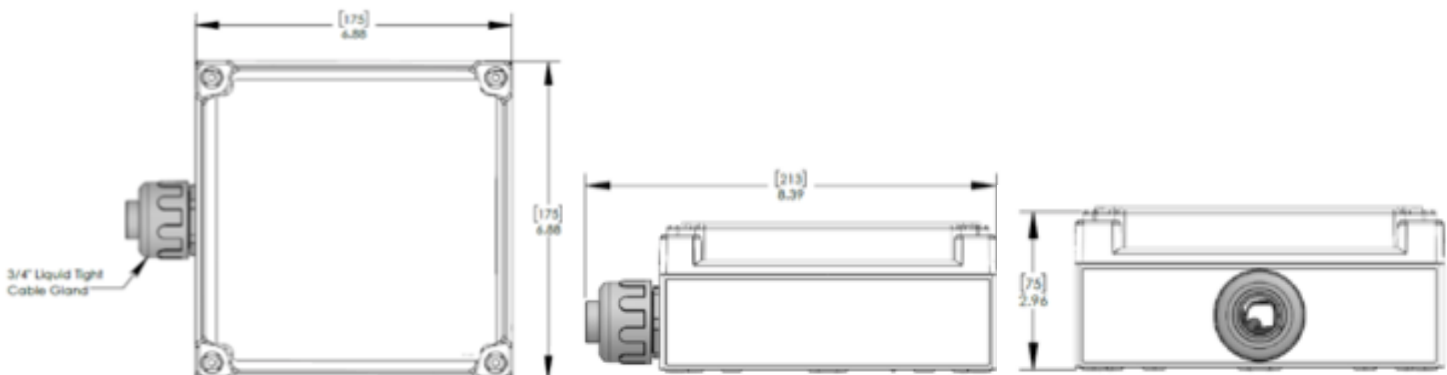
The SP320 provides economical protection against damaging transients and surge currents. With a NEMA 4X enclosure rating this product is well suited for outdoor applications. Engineered to provide durability and long life, even under the most adverse conditions.

UL®1449 Listed Edition 5.0
(Type 1), CE, CSA, IEC 6143-1

SP320

SP320 SPECIFICATIONS COMMON TO ALL VOLTAGES

| | |
|----------------------------------|---|
| Max Discharge Current, I_{max} | 320kA 8/20 μ s per phase (I_{max}) |
| Nominal Discharge Current, I_n | 20kA 8/20 μ s / mode |
| Protection Modes | ALL MODES |
| Short Circuit Current Rating | 200kAIC |
| Status / Alarm | 2 Green LED status indication per phase / AUDIBLE ALARM |
| Dimensions | 6.88”h x 2.97”d x 6.88”w |
| Enclosure / Rating | Polycarbonate / NEMA 4X / UL 50E, Type 4 |
| Connection | (36” of # 10 AWG) flying leads, 3/4” Liquid Tight Cable Gland |
| Mounting | 3/4” straight nipple. |
| Approvals | UL® 1449 LISTED EDITION 5.0 (TYPE 1), CE, CSA, IEC 6143-1 |
| Complies With | ANSI/IEEE: C62.41.2 -2002, C62.41.1-2002, C62.45-2002 CAT A, CAT B, CAT C |
| Temperature | - 40 to 185 F |
| Unit Weight | 2.4 lb |
| Recessed Wall | Optional Flush Mounting Plate for Drywall |
| Warranty | 10 Years Limited Free Replacement |



SP320

SP320 SPECIFICATIONS MULTI PHASE

| Model | SP320S12 | SP320Y12 | SP320Y24 |
|-----------------------------------|------------------|-------------|-------------|
| Nominal System Voltage, Un | 120/240 V | 120/208 V | 277/480 V |
| Distribution System | Split phase 3W+G | 3 Ph Y 4W+G | 3 Ph Y 4W+G |
| MCOV | 180/360 VAC | 150/300 VAC | 350/700 VAC |
| VPR Voltage Protection Rating L-N | L-L 1200 V | L-L 1000 V | L-N 1200 V |
| VPR Voltage Protection Rating L-G | L-N 700 V | L-N 600 V | L-G 1200 V |
| VPR Voltage Protection Rating N-G | L-G 800 V | L-G 700 V | N-G 1000 V |

SP320 SPECIFICATIONS 3 PHASE DELTA

| Model | SP320D2 | SP320D12 | SP320D4 |
|-----------------------------------|-------------------|----------------------|-----------------|
| Nominal System Voltage, Un | 240 V | 120/240V hileg delta | 480 V |
| Distribution System | 3 Ph Delta, 3W +G | 3 phase 3W+G | 3 Ph Delta 3W+G |
| MCOV | 275 VAC | 180/275 VAC | 550 VAC |
| VPR Voltage Protection Rating L-L | L-L 1500 V | L-N 1200 V / 1500 V | L-L 3000 V |
| VPR Voltage Protection Rating L-N | L-G 900 V | L-G 800 V / 900V | L-G 1500 V |
| VPR Voltage Protection Rating L-G | | N-G 700 V | |

