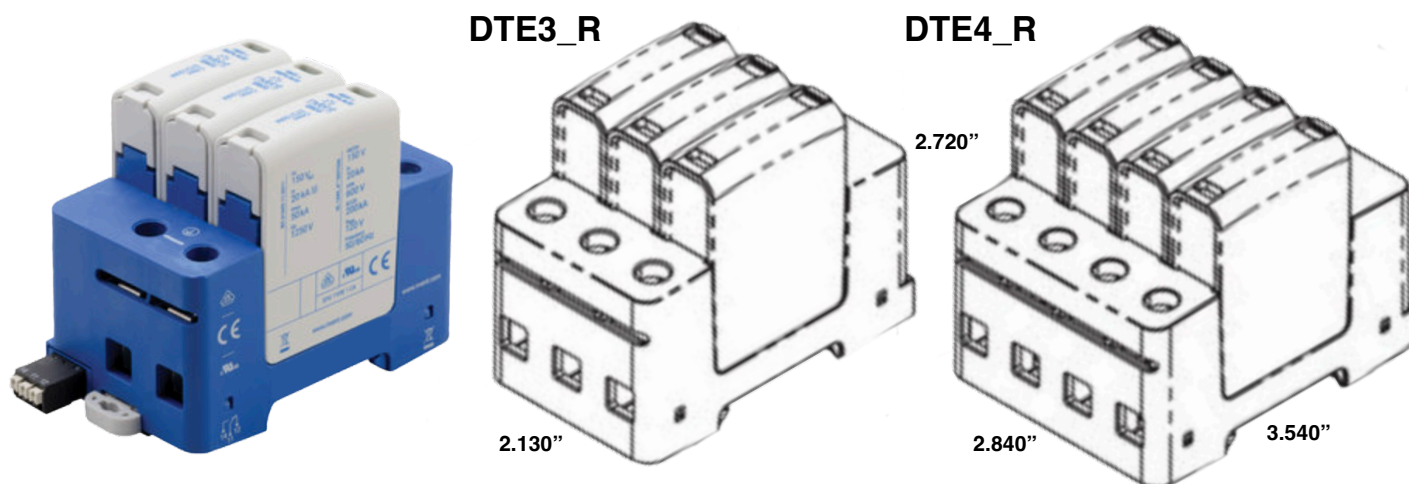


DTE

120V, 240V, 277/400V TYPE 1CA SPD

The DIN Rail mounted DTE family of SPDs provide reliable protection against voltage transients within the IEC Class II environments and is certified to UL Type 1 CA. In addition, Frequency Discriminating (FD) technology ensures continued operation during and after sustained and abnormal over-voltage events.

Tested and independently certified to the IEC (via VDE) and UL standards, the DTE Series provides a range of safety and performance features for the harshest environments and suitable for protection within a wide range of applications. The DTE Series provides extended service life in the harshest of environments, ensuring your equipment and systems are kept safe and operational through extreme abnormal voltage conditions.

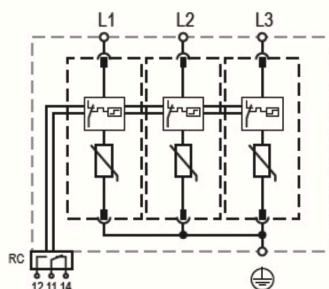


Model	DTE31R	DTE32R	DTE33R	DTE34R	DTE41R	DTE42R	DTE43R
Nominal System Voltage	120V	240V	277V	400V	120V	240V	277V
MCOV	150V	300V	350V	550V	150V	300V L-N 305V N-G	350V
Nominal Discharge Current	20 kA In	20 kA In	20 kA In	20 kA In	20 kA In	20 kA In	20 kA In
Max Discharge Current	50 kA 8/20 μ s	50 kA 8/20 μ s	50 kA 8/20 μ s	50 kA 8/20 μ s	50 kA 8/20 μ s	50 kA 8/20 μ s	50 kA 8/20 μ s
Short Circuit Current (SCCR)	200 kA	150 kA	200 kA	200 kA	200 kA	150 kA	200 kA
Voltage Protection Rating	700V	1200V	1200V	1800V	600V	1200V L-N 1000V N-G	1200V
Voltage Protection Level	1250V	1650V	1750V	2500V	1250V	1650V L-N 1500V N-G	1750V
Weight (lbs)	0.823 lb	0.856 lb	0.909 lb	0.962 lb	1.105 lb	0.812 lb	1.220 lb
Approvals	UL® 1449 Edition 4.0: Type 1CA (Component Assembly)						

DTE3 AND DTE4 COMMON SPECIFICATIONS

Approvals	UL® 1449 Edition 4.0: Type 1CA (Component Assembly)
Frequency	50-60 Hz
Nominal Discharge Current	20 kA In
Impulse Current (Iimp)	12.5 kA 10/350 μ s
Protection Modes	All Modes
Status	Mechanical flag
Short Circuit Current Rating (Iscrr)	25 kA 50 kA
Back-Up Fuse @ Iscrr	250 A @ 50 kA 315 A @ 25 kA
Enclosure	DIN 43 880, UL94V-0 thermoplastic, IP 20 (NEMA-1)
Connection	#2 - #4 solid and stranded
Mounting	35 mm top hat DIN Rail
Remote Contact	Yes
Remote Contact Switching Capacity	0.5 A @ 12, 24, 48 VDC 1.0 A @ 125, 250 VAC
Temperature	-35°C to 85°C (-31°F to 185°F)
Humidity	5 - 95% RH
Technology	Thermal Disconnect
Torque (TQ)	3.32 ft lb
Complies With	IEC® 61643-11 Class II EN 61643-11 Class I, Class II
Replacement Module	DTE 1M (120V) DTE 2M (240V), DTE 3M (277V) DTE 4M (400V)

DTE3



DTE4

