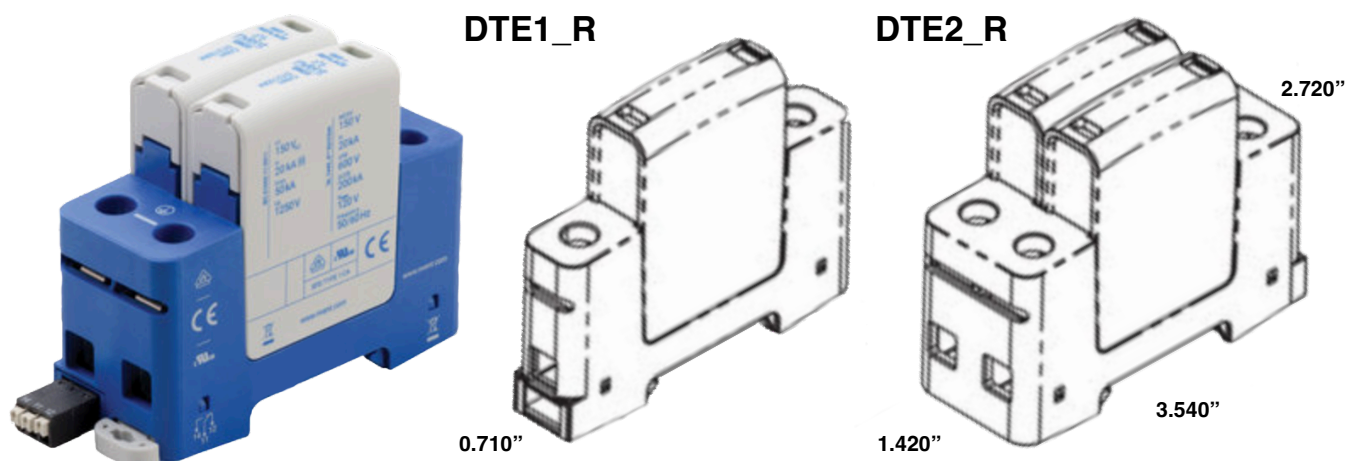


DTE

120V, 240V, 277/400V TYPE 1CA SPD

The DIN Rail mounted DTE family of SPDs provide reliable protection against voltage transients within the IEC Class II environments and is certified to UL Type 1 CA. In addition, Frequency Discriminating (FD) technology ensures continued operation during and after sustained and abnormal over-voltage events.

Tested and independently certified to the IEC (via VDE) and UL standards, the DTE Series provides a range of safety and performance features for the harshest environments and suitable for protection within a wide range of applications. The DTE Series provides extended service life in the harshest of environments, ensuring your equipment and systems are kept safe and operational through extreme abnormal voltage conditions.



Model	DTE11R	DTE12R	DTE14R	DTE21R	DTE22R	DTE24R
Nominal System Voltage	120V	240V	277/400V	120V	240V	277/400V
MCOV	150V	300V	350/550V	150V	300V	350/550V
Nominal Discharge Current	20 kA In	20 kA In	20 kA In	20 kA In	20 kA In	20 kA In
Max Discharge Current	50 kA 8/20 μ s	50 kA 8/20 μ s	50 kA 8/20 μ s	50 kA 8/20 μ s	50 kA 8/20 μ s	50 kA 8/20 μ s
Short Circuit Current (SCCR)	200 kA	150 kA	200 kA	200 kA	150 kA	200 kA
Voltage Protection Rating	700V	1200V	1200/1800V	700V	1200V	1200/1800V
Voltage Protection Level	1250V	1650V	1750/2500V	1250V	1650V	1750/2500V
Weight (lbs)	0.296 lb	0.307 lb	0.325/0.342 lb	0.583 lb	0.605 lb	0.640/0.675 lb
Approvals	UL® 1449 Edition 4.0: Type 1CA (Component Assembly)					

DTE1 AND DTE2 COMMON SPECIFICATIONS

Approvals	UL® 1449 Edition 4.0: Type 1CA (Component Assembly)
Frequency	50-60 Hz
Nominal Discharge Current	20 kA In
Impulse Current (Iimp)	12.5 kA 10/350 μ s
Protection Modes	All Modes
Status	Mechanical flag
Short Circuit Current Rating (Iscrr)	25 kA 50 kA
Back-Up Fuse @ Iscrr	250 A @ 50 kA 315 A @ 25 kA
Enclosure	DIN 43 880, UL94V-0 thermoplastic, IP 20 (NEMA-1)
Connection	#2 - #4 solid and stranded
Mounting	35 mm top hat DIN Rail
Remote Contact	Yes
Remote Contact Switching Capacity	0.5 A @ 12, 24, 48 VDC 1.0 A @ 125, 250 VAC
Temperature	-35°C to 85°C (-31°F to 185°F)
Humidity	5 - 95% RH
Technology	Thermal Disconnect
Torque (TQ)	3.32 ft lb
Complies With	IEC® 61643-11 Class II EN 61643-11 Class I, Class II
Replacement Module	DTE 1M (120V) DTE 2M (240V), DTE 3M (277V) DTE 4M (400V)

