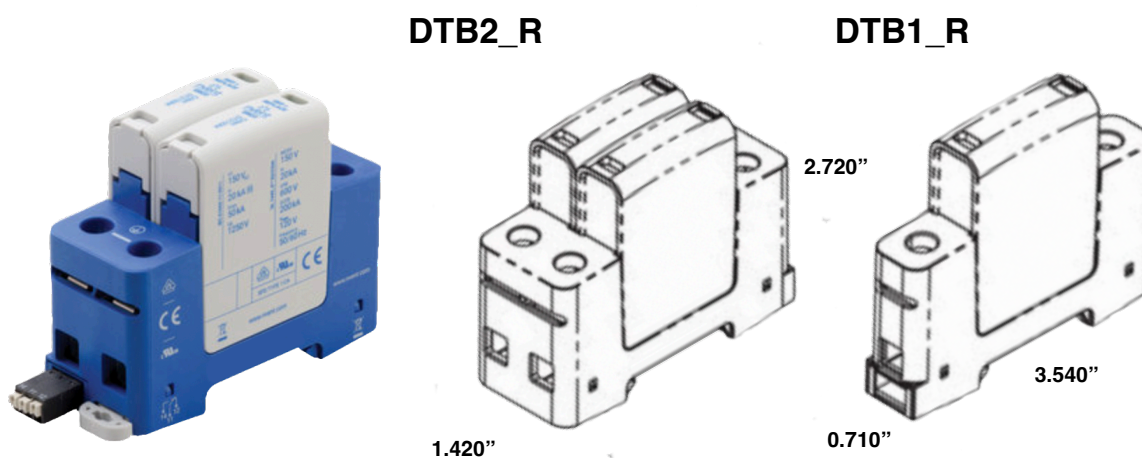


# DTB

## 120V, 240V, 480V, SINGLE PHASE TYPE 1CA SPD

The DIN Rail mounted DTB family of SPDs provide reliable and efficient protection against voltage transients within the UL1449 Type 1 & 2 environments. Tested and certified to the UL1449 Standard, the DTB Series provides a full range of safety and performance features for the harshest environments and is suitable for a wide range of applications.

Compact with a high peak, up to 25kA surge current rating and hot swappable modular design. External back-up fuses may not be required (IEC only). Retaining clip ensures enhanced vibration and shock resistance performance. Red/Green status indication and dry contacts for remote monitoring.



Model	DTB11R	DTB12R	DTB14DR	DTB21R	DTB22R	DTB24DR
Nominal System Voltage	120V	240V	480V	120V	240V	480V
MCOV	150V	300V	550V	150V	300V	550V
Nominal Discharge Current	20 kA In	20 kA In	20 kA In	20 kA In	20 kA In	20 kA In
Max Discharge Current	12.5 kA 8/20 $\mu$ s	12.5 kA 8/20 $\mu$ s	12.5 kA 8/20 $\mu$ s	25 kA 8/20 $\mu$ s	25 kA 8/20 $\mu$ s	25 kA 8/20 $\mu$ s
Short Circuit Current (SCCR)	200 kA	150 kA	200 kA	200 kA	150 kA	200 kA
Voltage Protection Rating	700V	900V	2000V	700V	900V	2000V
Voltage Protection Level	1250V	1500V	2500V	1250V	1500V	2500V
Weight (lbs)	0.283 lb	0.298 lb	0.335 lb	0.556 lb	0.587 lb	0.586 lb
Approvals	UL® 1449 Edition 4.0: Type 1CA (Component Assembly)					

## DTB COMMON SINGLE PHASE SPECIFICATIONS

<b>Approvals</b>	UL® 1449 Edition 4.0: Type 1CA (Component Assembly)
<b>Frequency</b>	50-60 Hz
<b>Nominal Discharge Current</b>	20 kA In
<b>Impulse Current (Iimp)</b>	12.5 kA 10/350 µs
<b>Protection Modes</b>	All Modes
<b>Status</b>	Mechanical flag
<b>Short Circuit Current Rating (Iscrr)</b>	25 kA 50 kA
<b>Back-Up Fuse @ Iscrr</b>	250 A @ 50 kA 315 A @ 25 kA
<b>Enclosure</b>	DIN 43 880, UL94V-0 thermoplastic, IP 20 (NEMA-1)
<b>Connection</b>	#2 - #4 solid and stranded
<b>Mounting</b>	35 mm top hat DIN Rail
<b>Remote Contact</b>	Yes
<b>Remote Contact Switching Capacity</b>	0.5 A @ 12, 24, 48 VDC 1.0 A @ 125, 250 VAC
<b>Temperature</b>	-35°C to 85°C (-31°F to 185°F)
<b>Humidity</b>	5 - 95% RH
<b>Technology</b>	Thermal Disconnect
<b>Torque (TQ)</b>	3.32 ft lb
<b>Complies With</b>	IEC® 61643-11 Class II EN 61643-11 Class I, Class II
<b>Replacement Module</b>	DTB 1M (120V) DTB 2M (240V), DTB 1M (120V), DTB 2M (240V)

