

DTB

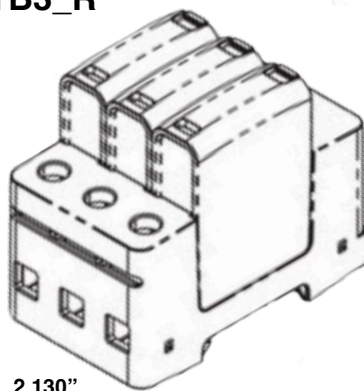
120V, 240V, 277V, 480V, TYPE 1CA SPD

The DIN Rail mounted DTB family of SPDs provide reliable and efficient protection against voltage transients within the UL1449 Type 1 & 2 environments. Tested and certified to the UL1449 Standard, the DTA Series provides a full range of safety and performance features for the harshest environments and is suitable for a wide range of applications.

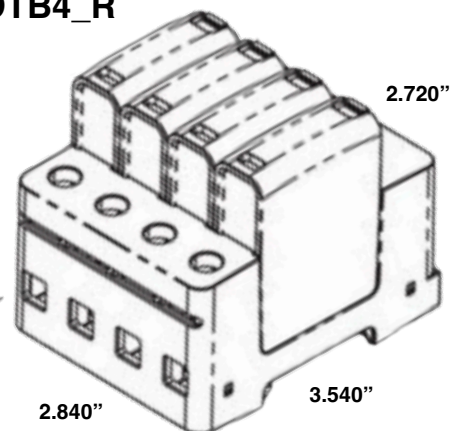
Compact with a high peak, up to 50kA surge current rating and hot swappable modular design. External back-up fuses may not be required (IEC only). Retaining clip ensures enhanced vibration and shock resistance performance. Red/Green status indication and dry contacts for remote monitoring.



DTB3_R



DTB4_R

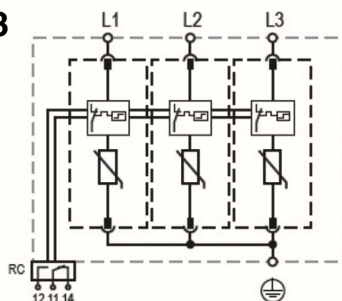


Model	DTB31R	DTB32DR	DTB34R	DTB34DR	DTB41R	DTB44DR	DTB46R
Nominal System Voltage	120V	240V	277V	480V	120V	480V	277V
MCOV	150V	300V	350V	550V	150V	550V	350V
Nominal Discharge Current	20 kA In	20 kA In	20 kA In	20 kA In	20 kA In	20 kA In	20 kA In
Max Discharge Current	37.5 kA 8/20 μ s	37.5 kA 8/20 μ s	37.5 kA 8/20 μ s	37.5 kA 8/20 μ s	50 kA 8/20 μ s	50 kA 8/20 μ s	50 kA 8/20 μ s
Short Circuit Current (SCCR)	200 kA	150 kA	200 kA	200 kA	200 kA	200 kA	200 kA
Voltage Protection Rating	700V	900V	1000V	2000V	600V	2000V	1000V
Voltage Protection Level	1250V	1500V	1750V	2500V	1250V	2500V	1750V
Weight (lbs)	0.783 lb	0.829 lb	0.862 lb	0.900 lb	1.052 lb	1.200 lb	1.158 lb
Approvals	UL® 1449 Edition 4.0: Type 1CA (Component Assembly)						

DTB3 AND DTB4 COMMON SPECIFICATIONS

Approvals	UL® 1449 Edition 4.0: Type 1CA (Component Assembly)
Frequency	50-60 Hz
Nominal Discharge Current	20 kA In
Impulse Current (Iimp)	12.5 kA 10/350 μ s
Protection Modes	All Modes
Status	Mechanical flag
Short Circuit Current Rating (Iscrr)	25 kA 50 kA
Back-Up Fuse @ Iscrr	250 A @ 50 kA 315 A @ 25 kA
Enclosure	DIN 43 880, UL94V-0 thermoplastic, IP 20 (NEMA-1)
Connection	#2 - #4 solid and stranded
Mounting	35 mm top hat DIN Rail
Remote Contact	Yes
Remote Contact Switching Capacity	0.5 A @ 12, 24, 48 VDC 1.0 A @ 125, 250 VAC
Temperature	-35°C to 85°C (-31°F to 185°F)
Humidity	5 - 95% RH
Technology	Thermal Disconnect
Torque (TQ)	3.32 ft lb
Complies With	IEC® 61643-11 Class II EN 61643-11 Class I, Class II
Replacement Module	DTB 1M (120V) DTB 2M (240V), DTB 4M (277V) DTB 1M (120V), DTB 4M (277V)

DTB3



DTB4

